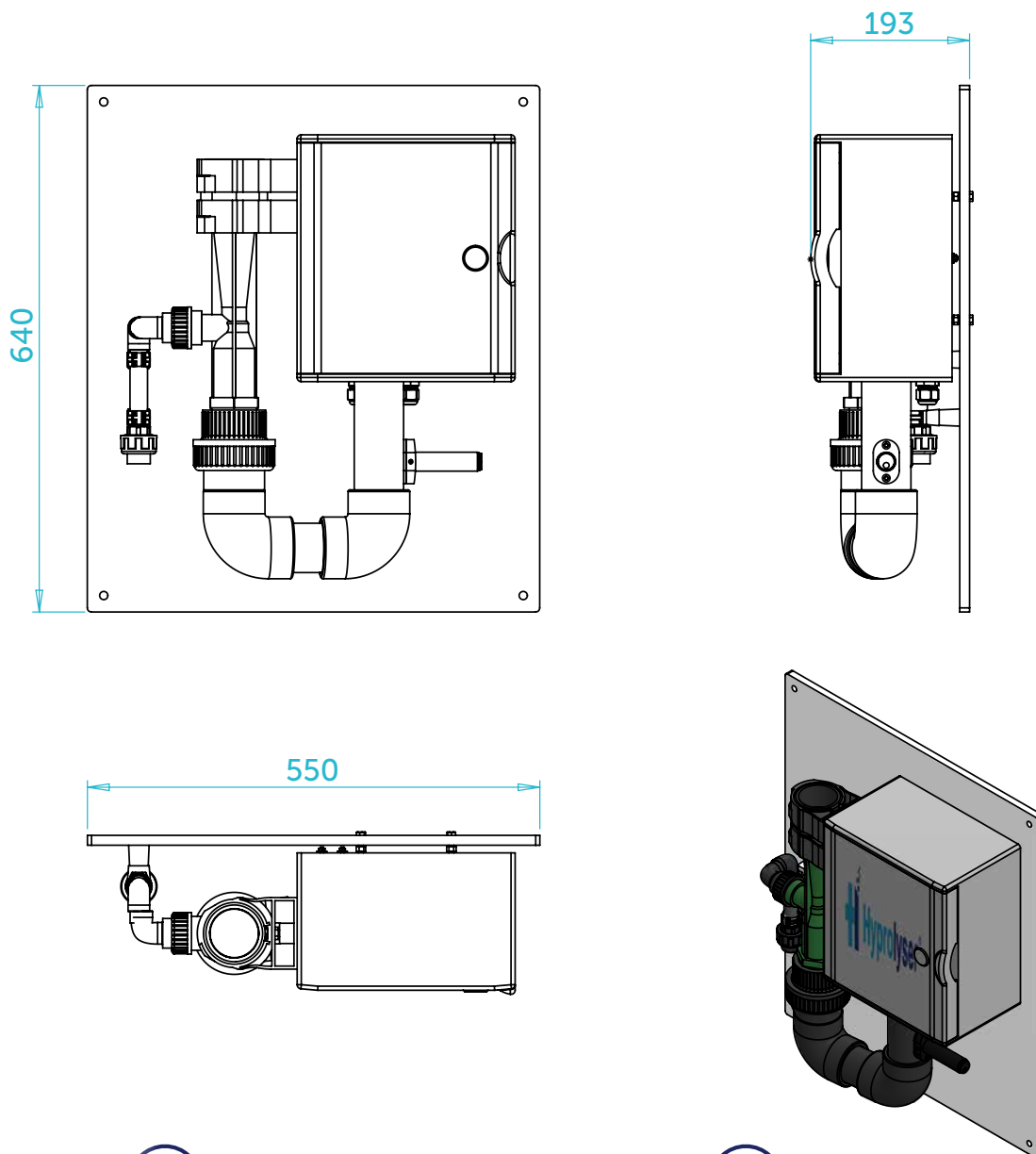


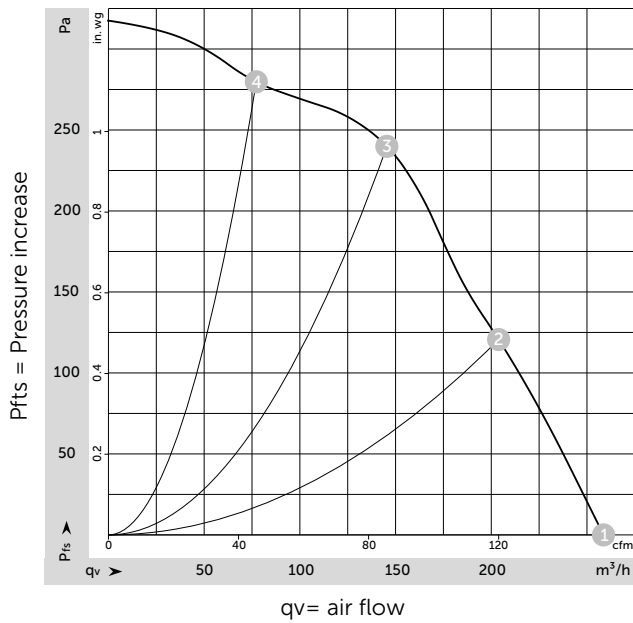
AIR BLOWER VENT KIT (10900900)

For use with Hyprolyser® iSEC® 30, 60, 90 systems for dilution of hydrogen liberated from the electrochlorination process.

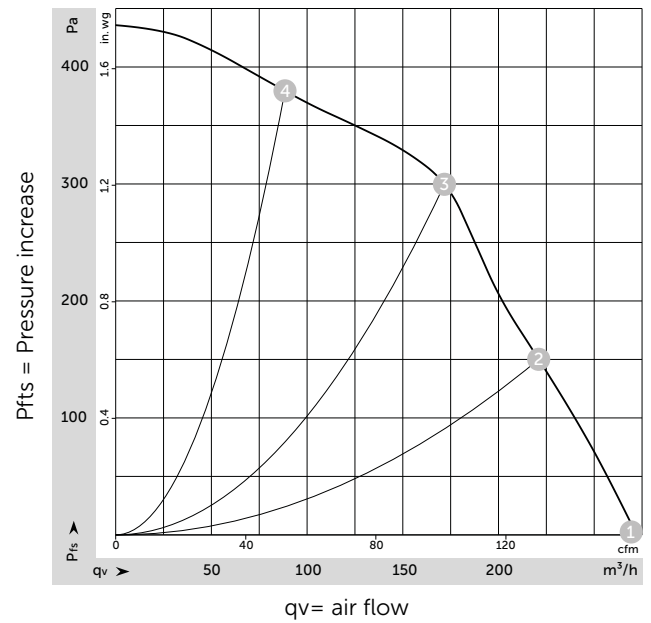
Dimensions



Air performance 50 Hz

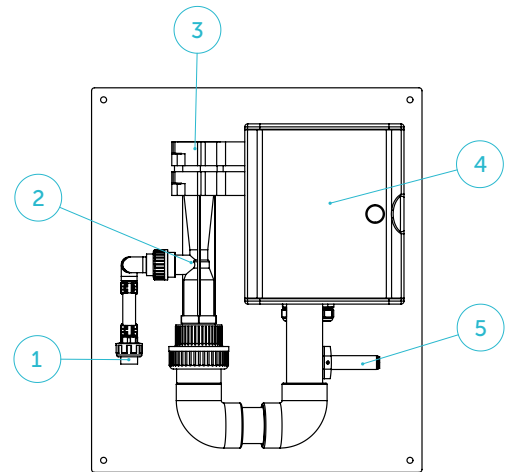


Air performance 60 Hz



Specifications

Vent Kit	
Weight (Kg)	10
Outer Dimensions (mm)	H640 x W550 x D193
Vent Connection	2"
Eductor Connection	½"/20mm
Air Blower	
Voltage (Vac)	230
Frequency (Hz)	50-60
Power Consumption (W)	80
Blower Type	Centrifugal, single intake
Rotational Speed (RPM)	2350-2450
Air Flow (m³/hr)	260 @ 0 Pa
Electrical Connection	3 x 1.0 – 2.5mm²
Air Flow Sensor	
Voltage Input (Vdc)	24
Analogue Output (Vdc)	0 – 10
Current Consumption (mA)	< 35
Flow Range (cm/s)	200 - 2000
Electrical Connection	4 x 1.0 – 2.5mm²



Schematics

Item	Feature Equipment
1	Product vent connection
2	Eductor
3	Vent exhaust connection
4	Air blower enclosure
5	Air flow sensor

Gaffey Technical Services Ltd.
Unit 3a Newhouse Road,
Huncoat Business Park,
Accrington, Lancashire BB5 6NT

Gaffey Technical Services Ltd. email info@gaffeytechnology.com
call **+44 (0) 1254 350180** or visit www.gaffeytechnology.com

a member of

BRITISH
WATER

MADE IN
BRITAIN

QMS ISO 9001 : 2015
REGISTERED