

IN-SITU SYSTEMS

**PRODUCT
RANGE**

SEPTEMBER 2024



gaffey

WATER TREATMENT FOR LIFE



WATER TREATMENT FOR LIFE

At Gaffey, we specialize in the technology, design, and manufacture of advanced in-situ electrochlorination and chlorine dioxide generation systems for the global water treatment market. Based in the UK, our products are distributed worldwide.

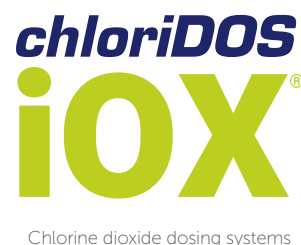
Our solutions cater to a diverse range of industrial and commercial sectors, including:

- Brewing
- Food preparation and packing
- Drinking water treatment
- Power generation
- Textile and paper production
- Hospitals
- Hotels
- Aquatic leisure facilities

With nearly 40 years of experience, our reputation is built on exceptional service. Our highly experienced technical team is ready to assist you in selecting the right products for your application.

We are pleased to offer our help and advice. Call **+44 (0)1254 350180** or visit www.gaffeytechnology.com

OUR OWN BRANDS INCLUDE:



ACCREDITATIONS:



*chloriDOS® iOX®1 range is WRAS approved.

CONTENT

The Hyprolyser Family	3	chloriDOS® iOX® Precision Blending	17
Hyprolyser® iSEC® 3-6 Modular Systems	4-5	chloriDOS® iOX®1 5-60 Modular	18-19
Hyprolyser® iSEC® 30-90 Modular	6-7	chloriDOS® iOX®2 5-2000 Modular	20-21
Hyprolyser® iSEC® 30-90 Skid Systems	8-9	chloriDOS® iOX®2 5-2000 Modular Skid	22
Hyprolyser® iSEC® 250-2000	10-12	chloriDOS® iOX® Accessories	23
Hyprolyser® iSEC® 5000-10000	13	Customer Services	24
Hyprolyser® iSEC® Accessories	14-16	Terms & Conditions	25-29

THE HYPROLYSER® FAMILY

Delivering maximum efficiency for Municipal, Industrial, Pool and Commercial applications

Hyprolyser® electrochlorination systems provide an on-demand supply of 0.6% sodium hypochlorite solution.

Using just salt, water, and electricity, these systems generate sodium hypochlorite through electrolysis of a diluted brine solution, offering a safer, cleaner, and more environmentally friendly chlorination method for any clean water application.

Each Hyprolyser® model ensures consistent performance and benefits, whether disinfecting a pool or treating millions of liters of drinking water daily. There's a Hyprolyser® system to meet your specific needs.

At a glance

- Keeping COSHH simple
- Uses low cost, readily available salt
- GB/EU BPR compliant
- Unique plug and play technology



Low environmental impact

Minimal recyclable packaging, reduced transportation, no hazardous waste disposal.



Economical

Low cost of salt, reduced pH correction chemical costs, reduced operator labour, low service costs.



Simple to use

Fill saturator with salt, no remedial maintenance of chlorine injector, no technical intervention required by the operator, low hazard system.



Low maintenance

Smart design and robust engineering requires simple, minimal periodic maintenance.



Reliable

Annual test & inspection, 2 year service interval, 2-5 year warranty, 6-8 year typical electrolyser life.



Low hazard system

Delivery and storage of salt, no toxic dangers to staff or neighbours, no hazardous waste disposal and no chemical handling.



State-of-the-ART chlorination

Our latest generation of Hyprolyser® ISEC® systems, feature Gaffey's unique Adaptive Response Technology (ART) that allows the system to adjust to changing environmental and site conditions, ensuring efficient and effective chlorine generation.

The ISEC® Mini 3-6 and Standard 5000-10000 models will be available in early 2025. With 'ART' built-in, they complete the Hyprolyser® family for trouble-free operation in any application or condition.

HYPROLYSER® iSEC® 3 - 6 MODULAR SYSTEMS

The Hyprolyser® iSEC® 3-6 Modular are wall mounted sodium hypochlorite generation systems with an integrated 2-litre product storage tank. They provide a compact and convenient solution for low-demand chlorination applications from 1g up to maximum 144g chlorine per day, e.g. 144m³/day water disinfection @ 1ppm/m³ chlorine dose rate.

Key features & benefits

- ART Adaptive Response Technology built-in
- HMI Touchscreen display and process mimic
- TCP/IP comms ready
- Electrolyser DC power supply IP65
- Multi-voltage power supply
- Process water pulse input - programmable pulse output (for 3rd party dosing pump control)
- Hydrogen detector kit, optional
- Soft water inlet pressure regulation kit

Note:

iSEC®-3 generates a 1000ppm chlorine solution (e.g. ideal for treatment of water flows of 0.5m³ to 50m³ per day, 1ppm chlorine dose rate)

iSEC®-6 generates a 3000ppm chlorine solution (e.g. ideal for treatment of water flows of 50m³ to 100m³ per day, 1ppm chlorine dose rate)



Available
March
2025

Required accessories:

- Dosing equipment and ancillaries
- Salt saturator tank
- Water softener
- Associated plumbing & pipework fittings

Systems

Code	Model	Capacity (gCl ₂ /h)	Salt Use (g/h)	Soft Water Use (l/h)	Max Power (kWh)	Voltage (V/Ø/Hz)
11000001	iSEC® 3	3	9	3	0.04	110-230/1/50-60
11100001	iSEC® 6	6	18	2	0.06	110-230/1/50-60

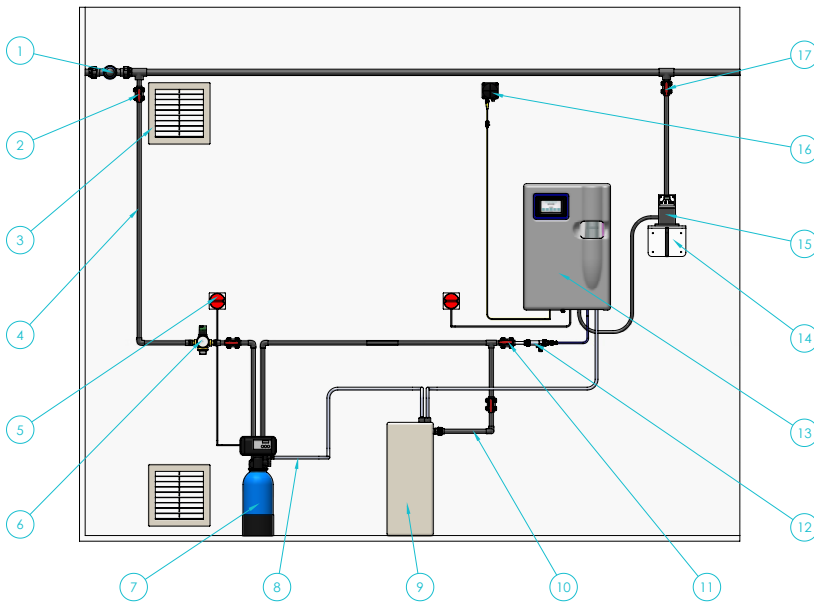
Installation Accessories - Optional

Code	Product Name/Model	Product Description
90901300	20in. BIG softener cartridge kit	Convenient wall mount softener cartridge kit, with 292,000ppm CaCO ₃ hardness capacity removal, iSEC3 - ideal for treating up to 800m ³ water @1ppm dose rate iSEC6 - ideal for treating up to 2500m ³ @1ppm dose rate
10900101	30kg saturator tank kit	Small brine saturator tank complete with internal soft water float valve, brine well and salt funnel
G0072	Dosing pump wall bracket/shelf	Convenient wall mount dosing pump shelf/bracket, polypropylene, WHT

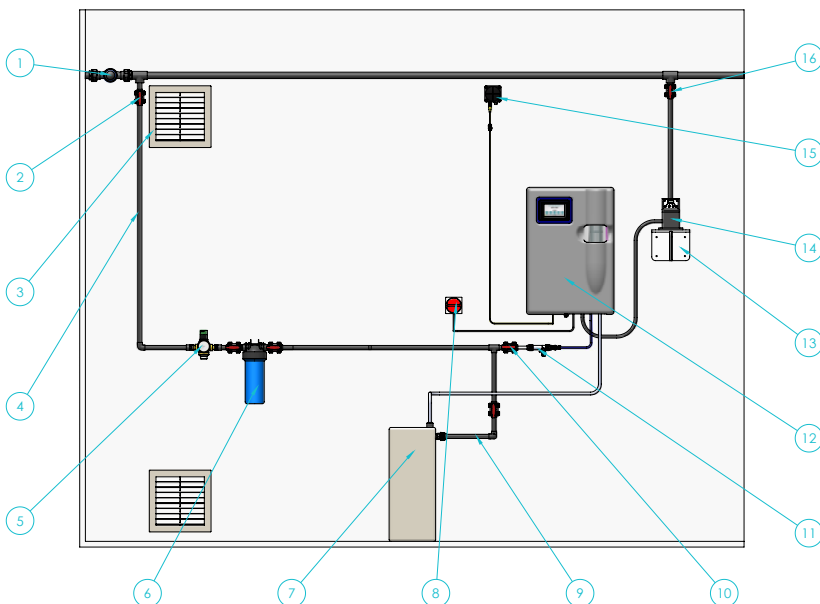
Electrolytic Chlorination Systems

HYPROLYSER® iSEC® 3-6 MODULAR EXAMPLE INSTALLATION LAYOUT 1

✓ Included with Modular System Accessory Pack



HYPROLYSER® iSEC® 3-6 MODULAR EXAMPLE INSTALLATION LAYOUT 2



Item	Description
1	Site water meter
2	Isolation valve
3	Natural high room ventilation
4	Cold water feed
5	Power supply
6	Water pressure regulator ✓
7	Regenerative softener
8	Brine suction line
9	Brine salt saturator tank
10	Softened water feed
11	Isolation valve
12	Soft water sample tap kit ✓
13	Hyprolyser® iSEC® ✓
14	Pump shelf bracket
15	Dosing pump to process
16	Hydrogen detector, optional
17	Isolation valve

HYPROLYSER® iSEC® 30-90 MODULAR



The Hyprolyser® iSEC® 30-90 Modular range is ideal for smaller scale chlorine demands up to 2.2kg/day. Wall mounted, using plug and play technology, modular systems provide flexible installation.

Key features & benefits

- ART Adaptive Response Technology built-in
- HMI Touchscreen display and process mimic
- TCP/IP comms ready
- Electrolyser DC power supply water cooled, environmental protection IP54
- Multi-voltage power supply
- Process water pulse input - programmable pulse output (for 3rd party dosing pump control)
- Hydrogen detector kit
- Product tank level switch kit
- Soft water inlet pressure regulation kit

Required accessories:

- Product storage tank
- Dosing equipment and ancillaries
- Salt saturator tank
- Water softener
- Associated plumbing & pipework fittings

Note:

iSEC® 30-90 generate 0.6% w/w chlorine solution



Systems

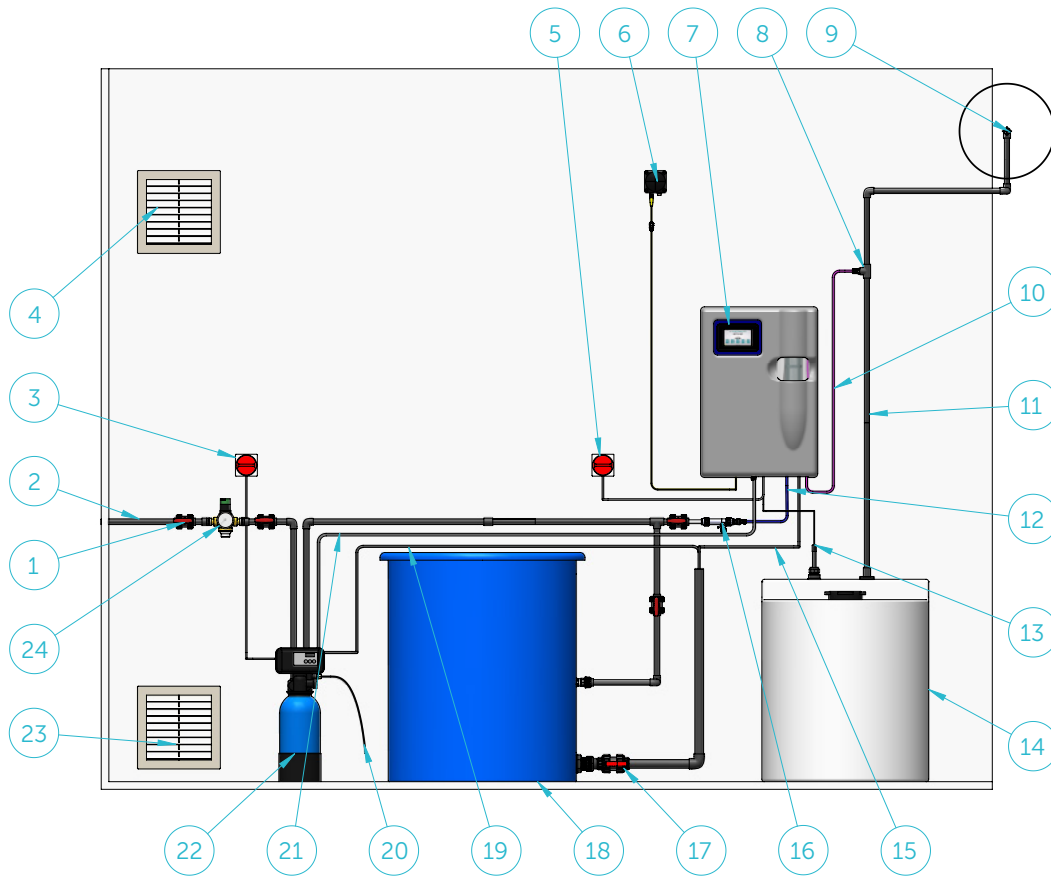
Code	Model	kg (Cl ₂ /day)	Salt Use (kg/h)	Soft Water Use (l/h)	Max Power (kWh)	Voltage (V/Ø/Hz)
11200001	iSEC® 30	0.72	0.1	5	0.15	110-230/1/50-60
11300001	iSEC® 60	1.44	0.2	10	0.3	110-230/1/50-60
11400001	iSEC® 90	2.16	0.3	15	0.45	110-230/1/50-60

Refer to pages 14-16 for a full range of control and system accessories available from Gaffey

Electrolytic Chlorination Systems

HYPROLYSER® iSEC® 30-90 MODULAR EXAMPLE INSTALLATION LAYOUT 1

✓ Included with Modular System Accessory Pack



† Air blower ventilation kit required where ventilation pipework exceeds 15m in length

* iSEC® must have softened water supply

1	Water isolation valve	9	External vent termination point	17	Saturated brine outlet
2	Water supply pipe	10	Product outlet tube ✓	18	Salt saturator tank
3	Fused disconnect switch	11	Product outlet/vent pipe	19	Softener brine suction tube
4	High ventilation point	12	Softened water inlet tube ✓	20	Softener drain line
5	Fused disconnect switch	13	Product tank level switch ✓	21	Softener regen switch cable
6	Hydrogen detector ✓	14	Product storage tank	22	Simplex water softener
7	Hyprolyser® iSEC® ✓	15	Brine suction inlet tube ✓	23	Low ventilation point
8	Product outlet/vent tee ✓	16	Sample valve & tube adapters ✓	24	Pressure reducing valve ✓

Installation Accessories - Optional Air Blower Ventilation Kit

Code	Product Name/Model	Product Description
10900900	iSEC® air blower vent kit 230Vac, 1/2inch/20mm inlet, 2inch/63mm OD outlet (PVC)	Air blower ventilation kit required where ventilation pipework exceeds 15m in length

HYPROLYSER® iSEC® 30-90 SKID SYSTEMS

The Hyprolyser iSEC® Modular Skid range is ideal for smaller scale chlorine demands. Skid systems are a complete package for simple and quick installation. Supplied pre-built and tested including softener, salt saturator and chlorine product storage tank.

Key features & benefits

- ART Adaptive Response Technology built-in
- HMI Touchscreen display and process mimic
- TCP/IP comms ready
- Electrolyser DC power supply watercooled environmental protection IP54
- Process water pulse input - programmable pulse output (for 3rd party dosing pump control)
- Hydrogen detector kit
- Cold water inlet pressure regulation kit



SKID-I 30kg saturator /
30 litre product tank



SKID-II 50kg saturator /
200 litre rear product tank

Systems

Code	Capacity (g/h)	Product Name/Model	Salt Use (KG/h)	Max Power (kWh)	Voltage (V/Ø/Hz)
11201001	30	iSEC® 30 Skid-I	0.1	0.30	230/1/50
11302001	60	iSEC® 60 Skid-II	0.2	0.55	230/1/50
11402001	90	iSEC® 90 Skid-II	0.3	0.88	230/1/50

iSEC®30-90 Installation Accessories - Optional

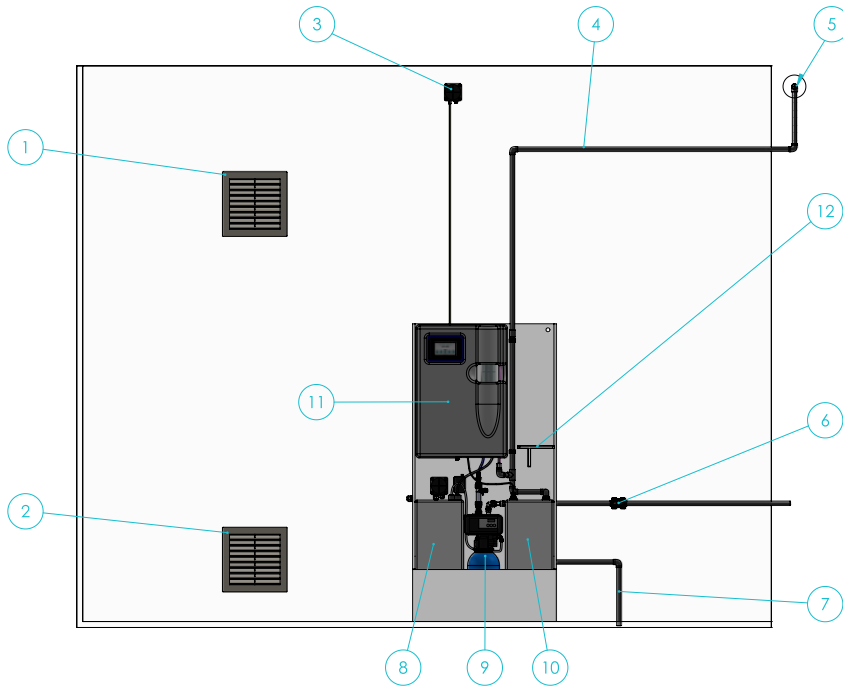
Code	Product Name/Model	Product Description
10900900	iSEC® air blower vent kit 230Vac, inch/20mm inlet, 2inch/63mm OD outlet (PVC)	Air blower ventilation kit required where ventilation pipework exceeds 15m in length

Refer to pages 14-16 for a full range of control and system accessories

Electrolytic Chlorination Systems

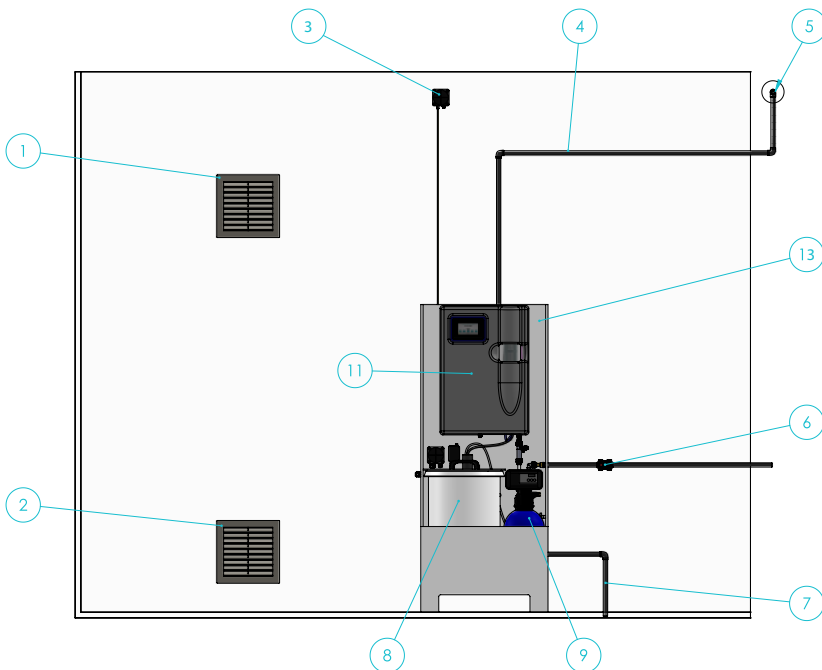
HYPROLYSER® iSEC® 30-90 SKID-I SYSTEM EXAMPLE INSTALLATION LAYOUT 1

✓ Included with Modular System Accessory Pack



Item	Description
1	High natural room ventilation
2	Low natural room ventilation
3	Hydrogen detector ✓
4	Ventilation duct
5	External ventilation exhaust point
6	Cold water supply feed
7	Softener back wash waste line, 2m hose ✓
8	Salt saturator brine tank ✓
9	Regenerative simplex softener ✓
10	Chlorine product tank ✓
11	iSEC® 30-90 modular chlorine generator ✓
12	Single dosing pump shelf utility ✓
13	Skid-II unit with rear 200 litre chlorine product tank ✓

HYPROLYSER® iSEC® 30-90 SKID-II SYSTEM EXAMPLE INSTALLATION LAYOUT 2



Refer to pages 14-16 for a full range of control and system accessories

HYPROLYSER® iSEC® 250-2000



Generating up to 24kg chlorine per day and a footprint of just 633mm x 600mm, the Hyprolyser® iSEC® High Capacity Skid Systems are ideal for larger chlorination applications.

Key features & benefits

- ART Adaptive Response Technology built-in
- NO external zoning requirements (fully DSEAR compliant)
- Water cooled IP54 power supply unit
- Eco Salt/Auto/Soft start operation modes
- Electrolyser CIP facility
- Precise volumetric softened water & volumetric vacuum brine feed
- Volumetric airflow dilution monitoring
- TCP/IP comms ready, Modbus RTU optional
- Supplied complete with hydrogen detector and product tank dual level switch assembly

Required accessories:

- Product storage tank
- Dosing equipment and ancillaries
- Salt saturator tank
- Water softener
- Associated plumbing & pipework fittings



Refer to pages 14-16 for a full range of control and system accessories

Systems

Code	Capacity (kg/D)	Model (g/h)	Nom.Salt Use (kg/h)	Soft Water Use (l/h)	Max Power (kVA)	Voltage (V/Ø/Hz)
12000001	6	iSEC® 250	0.7	42	1.6	230/1/50-60
12010001	6	iSEC® 250	0.7	42	1.6	110/1/50-60
12100001	12	iSEC® 500	0.14	84	3.2	230/1/50-60
12110001	12	iSEC® 500	0.14	84	3.2	110/1/50-60
12200001	24	iSEC® 1000	0.28	167	5.5	230/1/50, 400/3/50-60
12210001	24	iSEC® 1000	0.28	167	5.5	208/3/50-60
12300001	48	iSEC® 2000	0.56	333	11	400/3/50-60
12310001	48	iSEC® 2000	0.56	333	11	208/3/50-60

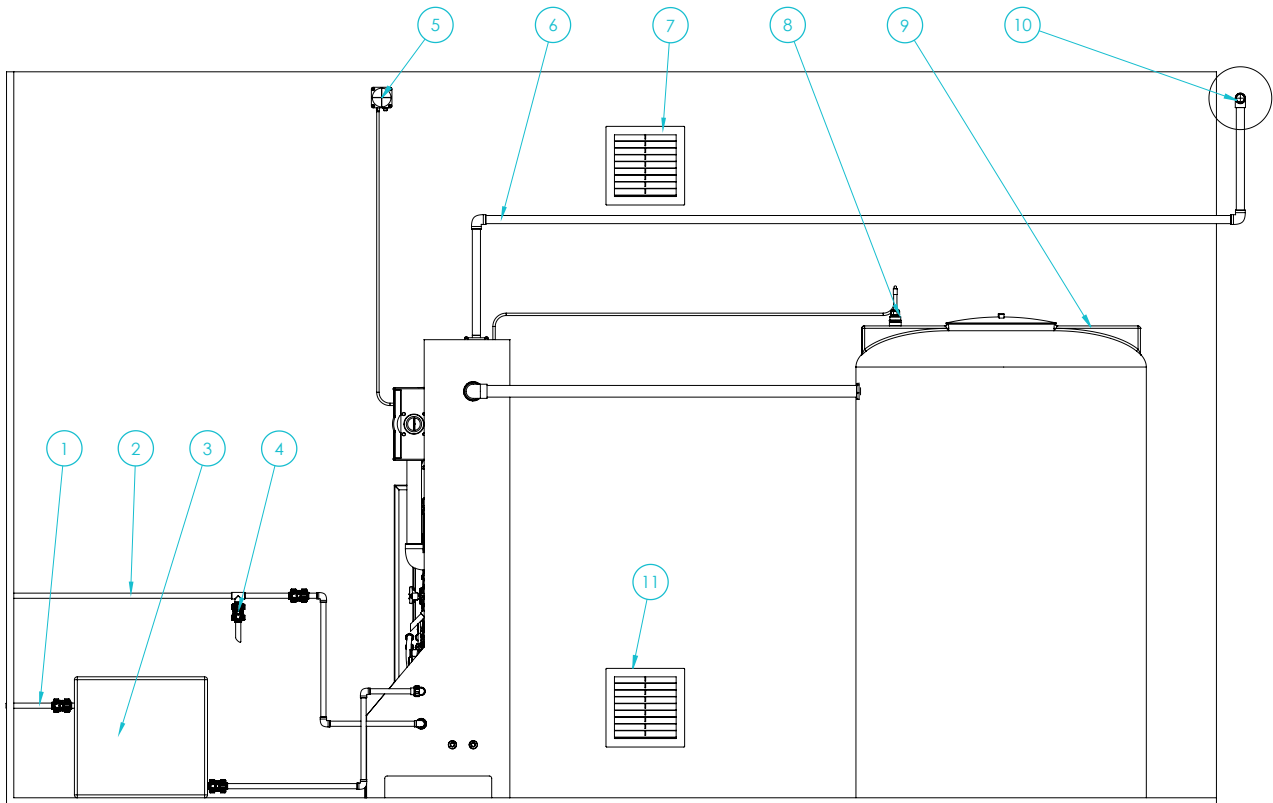
 [Hyprolyser® iSEC® 250-2000 High Capacity Skid General Product Information](#)

 [Hyprolyser® iSEC® 250-2000 High Capacity Skid Product Information for Pools](#)

 [Hyprolyser® iSEC® 250-2000 High Capacity Skid Technical Data](#)

HYPROLYSER® iSEC® 250-2000 HIGH CAPACITY SKID EXAMPLE INSTALLATION LAYOUT 1

✓ Included with Modular System Accessory Pack



1	Saturated brine feed from remote/bulk saturator
2	Softened water feed
3	Brine break tank (required for remote bulk saturator)
4	Softened water sample tap
5	Hydrogen detector ✓
6	Ventilation duct

7	Natural high room ventilation
8	Dual level switch (batch/high) ✓
9	Product tank
10	External ventilation exhaust termination
11	Natural low room ventilation
12	Salt saturator/brine tank

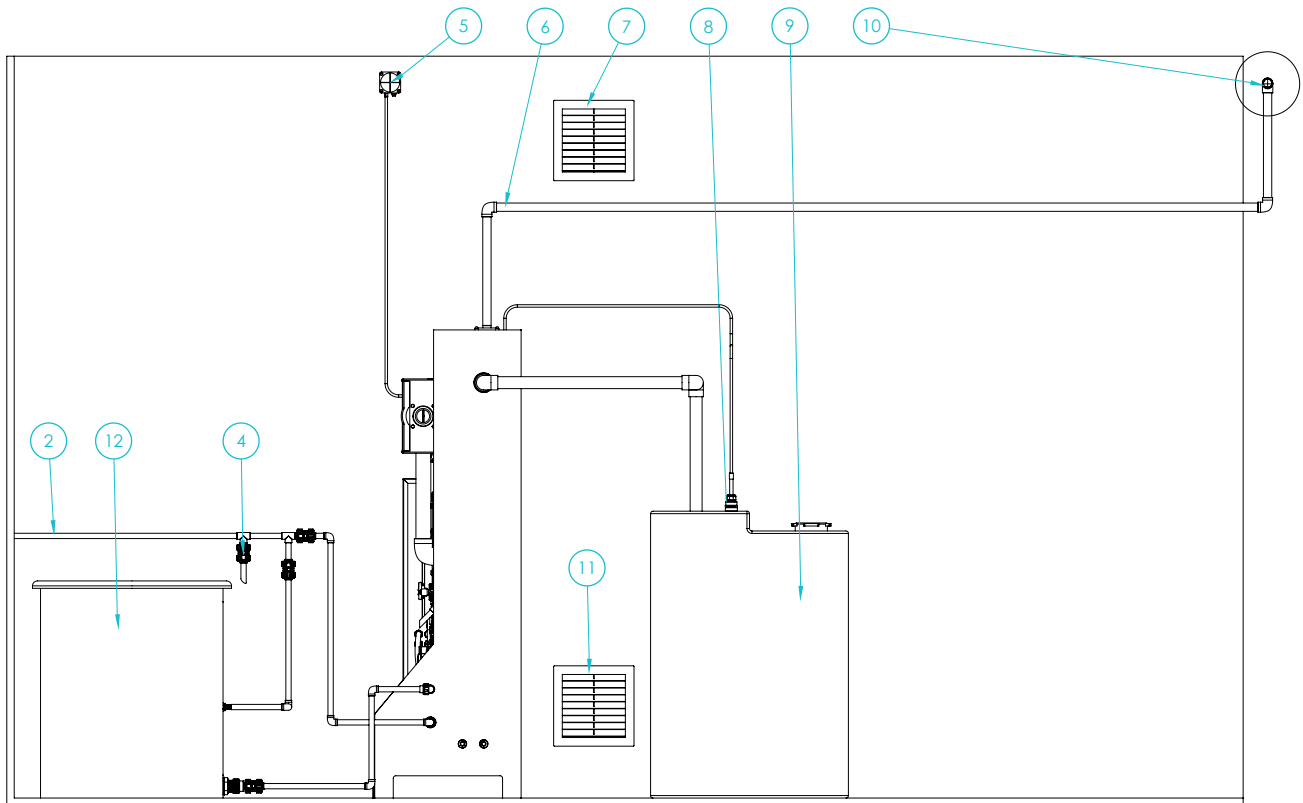
iSEC® 250-2000 Installation Accessories - Optional - re. Bulk Salt Saturator Installations

Code	Product Name/Model	Product Description
10900000	iSEC® Brine Break Tank	Break tank required between bulk saturator and Hyprolyser® brine inlet. MDPE tank with float valve and inlet/outlet connections.

Refer to pages 14-16 for a full range of control and system accessories

HYPROLYSER® iSEC® 250-2000 HIGH CAPACITY SKID EXAMPLE INSTALLATION LAYOUT 2

✓ Included with Modular System Accessory Pack



1	Saturated brine feed from remote/bulk saturator
2	Softened water feed
3	Brine break tank (required for remote bulk saturator)
4	Softened water sample tap
5	Hydrogen detector ✓
6	Ventilation duct

7	Natural high room ventilation
8	Dual level switch (batch/high) ✓
9	Product tank
10	External ventilation exhaust termination
11	Natural low room ventilation
12	Salt saturator/brine tank

HYPROLYSER® iSEC® 5000-10000

Available
March
2025



Generating up to 240kg chlorine per day the Hyprolyser® iSEC® XL Skid Systems are ideal for water and waste/ re-use treatment applications.

Key features & benefits

- ART Adaptive Response Technology built-in
- DSEAR compliant
- Eco Salt/Auto/Soft start operation modes
- Modular PSU cabinet design
- Electrolyser CIP facility
- Precise volumetric softened water & volumetric vacuum brine feed
- TCP/IP comms ready, Modbus RTU optional
- Supplied complete with hydrogen detector



Required Accessories:

- Product storage tank with degassing facility
- Salt saturator tank
- Water softening
- Associated plumbing & pipework fittings

Systems

Code	Capacity (g/h)	Product Name/Model	Max Power (kWh)	Max Power (kWh)	Voltage (V/Ø/Hz)
13000001	5000	5000 iSEC® Modular	40	40	400/3/50-60
13100001	10000	10000 iSEC® Modular	60	60	400/3/50-60

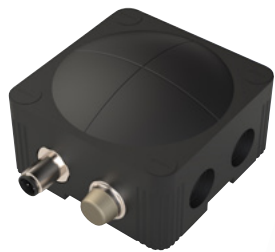
Other voltages available on request.

Installation Accessories - Optional - re. Bulk Salt Saturator Installations

Code	Product Name/Model	Product Description
10900000	iSEC® Brine Break Tank	Break tank required between bulk saturator and Hyprolyser brine inlet. MDPE tank with float valve and inlet/outlet connections.

HYPROLYSER® iSEC® ACCESSORIES

At Gaffey, we keep extensive stocks of products and spare parts for all the equipment we manufacture and distribute. The following pages showcase our most common ancillaries. If you need something different, please contact our team.



Hydrogen sensor



Dual level switch



Acid wash kit



Test kit

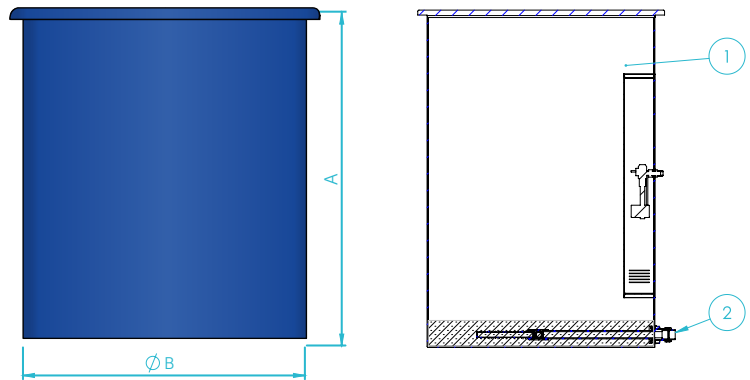
Accessories - Optional

Code	Product Name/Model	Product Description
90900800	Modbus RTU Module	RS-485 comms module for facility to connect Hyprolyser® to external communications (fits to rear/inside of HMI display)
10820703	Hydrogen detector	Secondary hydrogen detector for fitting/location in areas identified as additional risk measure required
90820503	Hydrogen detector cable	M12 4-pin cable assembly for convenient connection between Hyprolyser and secondary hydrogen detector, cable length 5m
10900300	Adjustable dual level switch, 280mm insertion	Floats and stem-PVDF: Seals-FPM: Body-PVC-U: Process fitting-G1"/32mm clearance hole: Switch-Reed, NC: Operating voltage – 24Vdc: Electrical connection-4-pin M12 plug
10900301	Adjustable dual level switch, 728mm insertion	
10901201	Service Test Kit, Hyprolyser® (SG/SB/YN/Cl ₂ /I)	Service Technician's Test Kit: Specific Gravity, Saturated Brine, Hardness, Chlorine Concentration
10901200	Hyprolyser® Operators Kit	Site Operator's Test Kit: Specific Gravity, Saturated Brine, Hardness
10901300	Hyprolyser® Acid Wash Kit with 230Vac battery charger kit (30g/h to 2000g/h systems)	Battery powered portable acid cleaning system, suitable for 30-2000g/h models. For use with 10% w/w HCl cleaning solution (chemical not supplied). 50l cleaning tank volume with carry handles and universal set hose connections

HYPROLYSER® iSEC® ACCESSORIES

Salt Saturator Tanks

Round tanks with removable lids and semi translucent sides for level viewing, suitable for use with Hyprolyser® iSEC® systems.



Salt Saturator Tanks

Code	Description	Volume	Salt Capacity	Material	A (mm)	B (mm)
10900003	Saturator 3, 300kg	250L	300kg	MDPE, Blue	900	740
10900004	Saturator 4, 500kg	400L	500kg	MDPE, Blue	1110	740
10900005	Saturator 5, 750kg	850L	750kg	MDPE, Blue	1360	920
10900006	Saturator 6, 1200kg	1200L	1200kg	MDPE, Blue	1345	1165

Key:

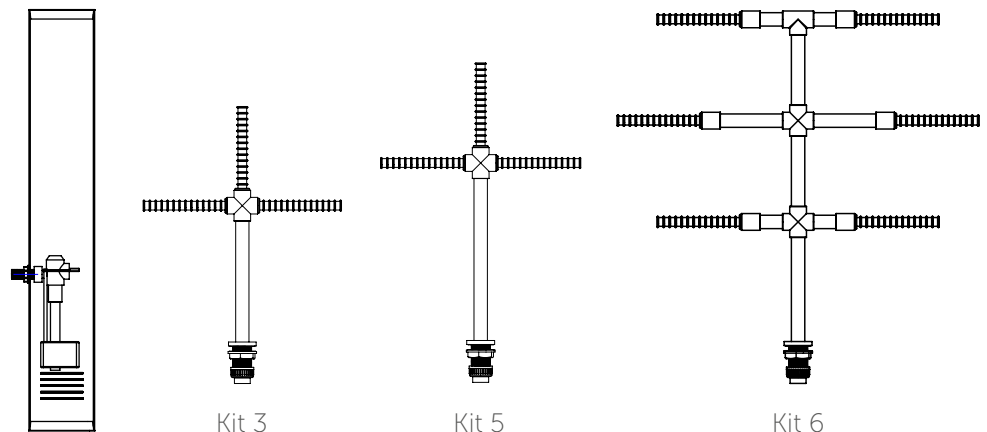
1 - Float valve chamber to control entry of softened water level in saturator. Inlet connection G1/2" BSP brass.

2 - Lateral assembly (with recommended washed gravel layer to cover lateral) for saturated brine collection/output.

Outlet connection, 32mm uPVC solvent union.

Salt Saturator Kits

Accessory kits can be used with standard salt saturator tanks and with tanks supplied pre-drilled by Gaffey®. The kits contain a universal float valve chamber and brine lateral assembly to allow easy installation of salt saturators and are designed for use with Hyprolyser® iSEC® systems.



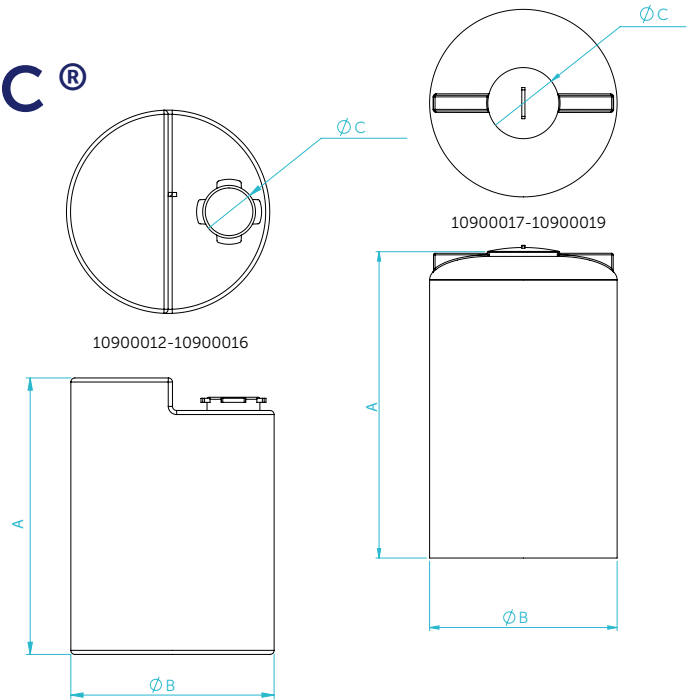
Salt Saturator Kits

Code	Description	Tank Part No.	Tank Description
10900103	Saturator 3 kit	10900003	Saturator 3, 300kg
		10900004	Saturator 4, 500kg
10900105	Saturator 5 kit	10900005	Saturator 5, 750kg
10900106	Saturator 6 kit	10900006	Saturator 6, 1200kg

HYPROLYSER[®] iSEC[®] ACCESSORIES

Product Tanks

Product tanks are suitable for use with all Hyprolyser[®] systems for storage of 0.6% sodium hypochlorite solution.



Product Tanks

Code	Volume (L)	Material	A (mm)	B (mm)	C (mm)
10900012	100	MDPE, Natural	680	500	130
10900013	200	MDPE, Natural	795	655	130
10900014	300	MDPE, Natural	1030	655	130
10900015	500	MDPE, Natural	1160	800	200
10900016	1000	MDPE, Natural	1385	1060	200
10900017	2000	MDPE, Black	1960	1200	455
10900018	3000	MDPE, Black	2135	1400	455
10900019	5000	MDPE, Black	2300	1900	455

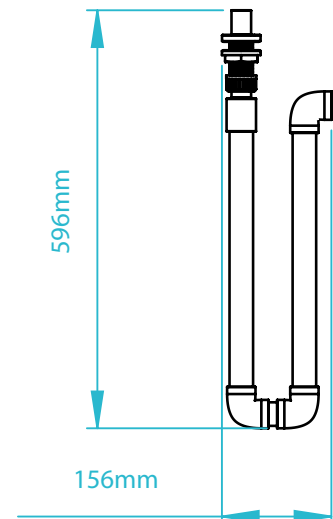
Code	Product Name/Model	Product Description
10900112	Product Tank Kit iSEC [®] 250-2000	Accessory kit to allow easy connection between the Hyprolyser [®] unit and the product storage tank. Kit contains 50mm uPVC solvent cement fittings: 1 x 90° equal elbow, 1 x 45° equal elbow, 1 x equal socket, 1 x tank connector.

Product Tank Kit - iSEC[®] 30-90 MODULAR

For use with Hyprolyser[®] iSEC[®] 30-90 systems only. Accessory kits to facilitate correct installation of a product storage tank and vent line.

This tank kit assembly is fitted inside and secured to the top of the product storage tank. The U-bend acts as a fluid trap and retention column to ensure any entrained hydrogen in the sodium hypochlorite is released into the vent pipework and not into the product storage tank.

Code	Description
10900111	iSEC [®] 30/60/90 Product tank retention pipe kit



CHLORIDOS[®] iOX[®] PRECISION BLENDING

Next generation on-site water disinfection.

Our latest chlorine generation system, chloriDOS[®] iOX[®], offers exceptional safety, efficiency, and accuracy in controlling bacteria, biofilm, and Legionella. This compact, universal unit can be tailored to your specific water disinfection needs.

Featuring patented volumetric batch generation technology, iOX[®] provides unmatched accuracy and accessible data reporting. Durable and cost-effective, chloriDOS[®] iOX[®] ensures peace of mind in demanding environments and offers significant maintenance efficiencies and scalability benefits.

The chloriDOS[®] iOX[®] family includes iOX[®]1, for smaller applications such as secondary disinfection and food & beverage disinfection; and the new iOX[®]2 for industrial settings such as cooling tower biocide treatment, odour control in wastewater processes and pre-treatment of surface waters in drinking water applications.



Key features & benefits

- IP65 rated system
- Touchscreen HMI controller
- Patented volumetric batch generator
- Plug-and-play design for easy installation



Process Alarms



Simple Operator & Service Management



Unique Batch Generator



Highly Durable Construction



Innovative Batch Process Control



Compact Design

CHLORIDOS[®] iOX[®] 1 5-60 MODULAR

Offering a range of 5g/h up to 60g/h chlorine dioxide generation capacity. Wall mounted cabinet, iOX[®]1 automatically draws and mixes precise amounts of acid and chlorite, under vacuum into an integral 8 litre product tank. Space for suitable sized dosing pump mounting inside cabinet for convenience.

Key features & benefits

- Single lockable unit, IP65
- Power supply: 110V to 230V (50-60Hz), 60W
- Safe handling of chemical reagents under vacuum
- Batch dilution volumetrically controlled
- Precursor chemical suction volumetrically controlled
- Simple, low maintenance frequency



PATENTED

Dosing pump(s) not included

Systems

Code	Capacity (g/h)	Capacity (KG/day)	Chemical Consumption (l/h, <1% error)		
			NaClO ₂	HCl	Water Use (l/h)
2100001	5	0.12	0.125	0.125	9.7
2101001	10	0.24	0.25	0.25	9.4
2102001	20	0.48	0.5	0.5	12.3
2103001	40	0.96	1	1	24.6
2104001	60	1.44	1.5	1.5	36.9

Chemical reagent compatibility data table

Reagent Data		5	10	20	40	60
A (8-10% HCl)*	w/w%	✓	✓	✓	✓	✓
B (7.5% NaClO ₂)*	w/w%	✓	✓	✓	✓	✓

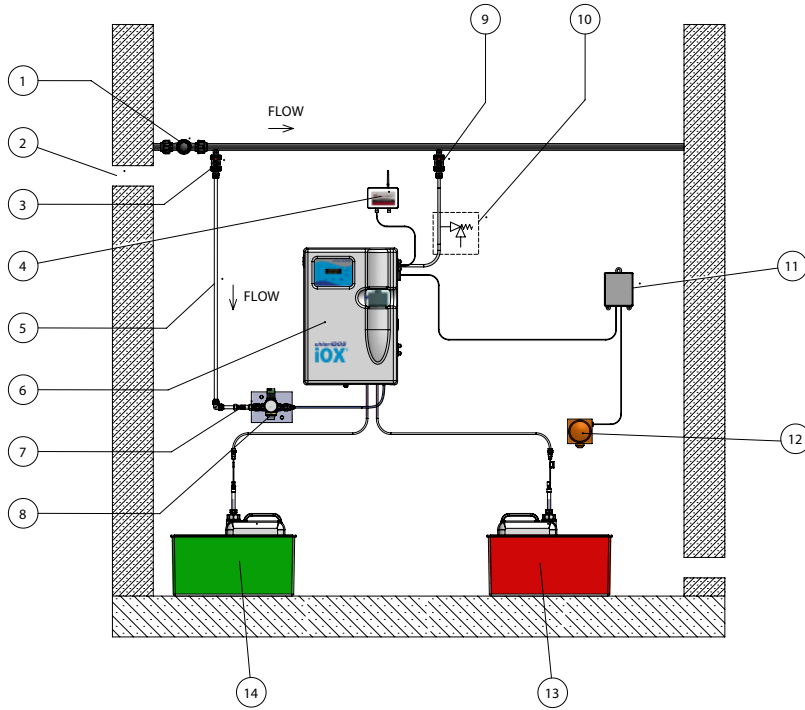
*10% HCl & 7.5% NaClO₂ are the maximum concentrations permitted for use with the chloriDOS[®] iOX[®] 5 – 60

Device Accessories - Optional

Code	Product Name/Model	Product Description
20900300	Dual pump suction pipe manifold (PVC/FPM) (5-40g/h)	Dual pump suction manifold for connection of up to two additional external dosing pump suctions. This manifold fits inside the iOX [®] cabinet.

Refer to pages 23 for a full range of control and system accessories

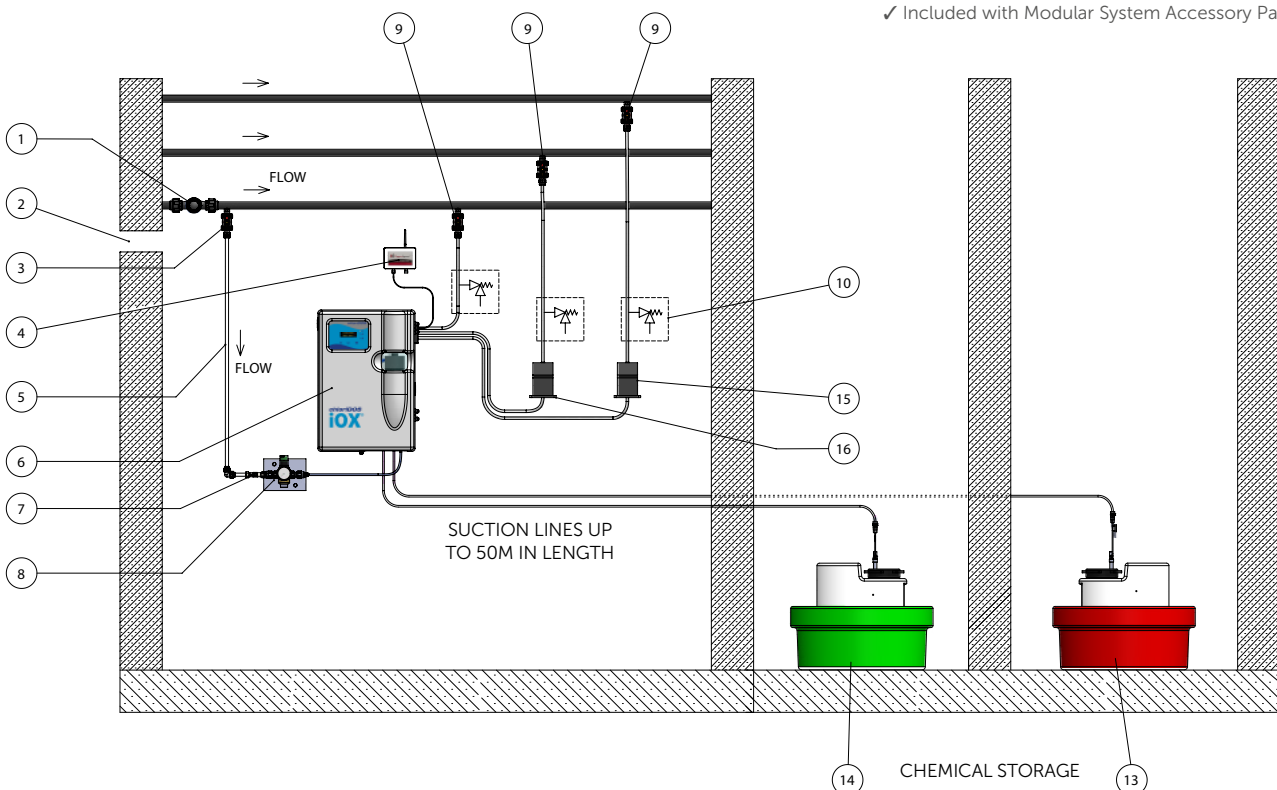
**CHLORIDOS® iOX®1 5-60 MODULAR
EXAMPLE INSTALLATION LAYOUT 1
SINGLE-POINT DOSING**



Item	Description
1	Site pulsed water meter (site)
2	Natural room ventilation (site)
3	Cold water feed isolation (site)
4	COMM's/telemetry (optional)
5	Cold feed pipe work (site)
6	iOX®1 chlorine dioxide generator ✓
7	Water supply double check valve (site)
8	Water pressure regulator/filter ✓
9	ClO ₂ dosing injection isolation valve ✓
10	Dosing retention/relief (optional)
11	Gas detector panel
12	Gas sensor
13	Chlorite reagent drum/tank (optional)
14	Acid reagent drum/tank (optional)
15	Tertiary dosing pump
16	Secondary dosing pump

✓ Included with Modular System Accessory Pack

**CHLORIDOS® iOX®1 5-60 MODULAR
EXAMPLE INSTALLATION LAYOUT 2
MULTI-POINT DOSING**



CHLORIDOS[®] iOX[®] 2 5-2000 MODULAR

Wall-mounted and compact, chloriDOS[®] iOX[®] 2 5-2000 systems are designed for modular and system integrated applications. Offering 5-2000g/h chlorine dioxide generation capacity.

Key features & benefits

- Single lockable unit, IP65
- Power supply: 110V to 230V (50-60Hz), 60W
- Safe handling of chemical reagents under vacuum
- Batch dilution volumetrically controlled
- Precursor chemical suction volumetrically controlled
- Simple, low maintenance frequency



Code	Capacity (g/h)
22000001	5L
22010001	10L
22020001	20L
22030001	40L
22040001	80L
22050001	125L
22060001	125M
22070001	125H

Code	Capacity (g/h)
22080001	250L
22090001	250M
22100001	250H
22110001	500M
22120001	500H
22130001	1000H
22140001	2000H

Chemical reagent compatibility data tables

Reagent Data		5L	10L	20L	40L	80L
A (8-10% HCl)*	w/w%	✓	✓	✓	✓	✓
B (7.5% NaClO ₂)*	w/w%	✓	✓	✓	✓	✓

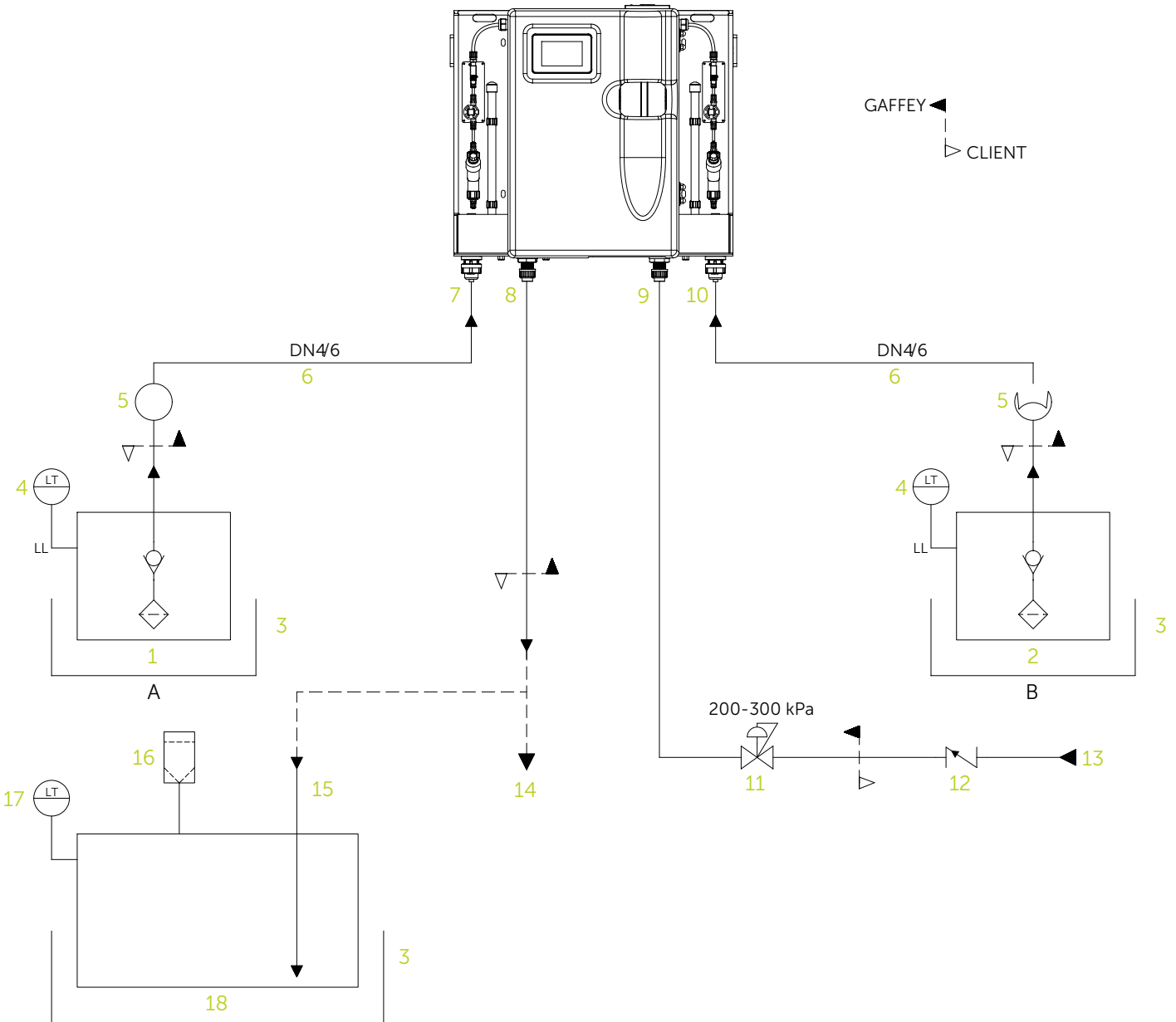
*10% HCl & 7.5% NaClO₂ are the maximum concentrations permitted for use with the chloriDOS[®] iOX[®] 5 – 80

Reagent Data		125L	125M	125H	250L	250M	250H	500M	500H	1000H	2000H
A (8-10% HCl)	w/w%	✓			✓						
A (14-15% HCl)	w/w%		✓			✓		✓			
A (28-32% HCl)*	w/w%			✓			✓		✓	✓	✓
B (7.5% NaClO ₂)	w/w%	✓			✓						
B (14% NaClO ₂)	w/w%		✓			✓		✓			
B (25% NaClO ₂)*	w/w%			✓			✓		✓	✓	✓

*32% HCl & 25% NaClO₂ are the maximum concentrations permitted for use with the chloriDOS[®] iOX[®] 1255 – 2000

Refer to pages 23 for a full range of control and system accessories

**CHLORIDOS[®] iOX[®]2 5-2000 MODULAR SKID
EXAMPLE INSTALLATION LAYOUT**



1	Acid
2	Sodium chlorite
3	Bund / Containment
4	Reagent empty switch
5	Suction control / Anti-syphon valve ✓
6	Reagent suction lines

7	Acid inlet (Reagent A)
8	Product outlet
9	Water inlet
10	Sodium chlorite inlet (Reagent B)
11	PRV ✓
12	Backflow prevention

13	Water supply
14	Product transfer to POA
15	Product storage tank inlet
16	Gas scrubber
17	Tank level control
18	Product storage tank

✓ Included with Modular System Accessory Pack

CHLORIDOS[®] iOX[®] 2 5-2000 MODULAR SKID

The chloriDOS[®] iOX[®] 2 5-2000 is also available in a skid system with an integral storage tank. These free-standing, premade units offer safe, reliable, and convenient plug-and-play chemical blending and dosing technology.

Key features & benefits

- Integrated iOX-2 generator, batch tank, gas scrubber and overflow trap
- Power supply: 110V to 230V (50-60Hz), 60W
- Safe handling of chemical reagents under vacuum
- Batch dilution volumetrically controlled
- Precursor chemical suction volumetrically controlled
- Simple, low maintenance frequency



Code	Capacity (g/h)
22001001	5L
22011001	10L
22021001	20L
22031001	40L
22041001	80L
22051001	125L
22061001	125M
22071001	125H

Code	Capacity (g/h)
22081001	250L
22091001	250M
22101001	250H
22111001	500M
22121001	500H
22131001	1000H
22141001	2000H

Chemical reagent compatibility data table

Reagent Data		5L	10L	20L	40L	80L
A (8-10% HCl)*	w/w%	✓	✓	✓	✓	✓
B (7.5% NaClO ₂)*	w/w%	✓	✓	✓	✓	✓

*10% HCl & 7.5% NaClO₂ are the maximum concentrations permitted for use with the chloriDOS[®] iOX[®] 5 – 80

Reagent Data		125L	125M	125H	250L	250M	250H	500M	500H	1000H	2000H
A (8-10% HCl)	w/w%	✓			✓						
A (14-15% HCl)	w/w%		✓			✓		✓			
A (28-32% HCl)*	w/w%			✓			✓		✓	✓	✓
B (7.5% NaClO ₂)	w/w%	✓			✓						
B (14% NaClO ₂)	w/w%		✓			✓		✓			
B (25% NaClO ₂)*	w/w%			✓			✓		✓	✓	✓

*32% HCl & 25% NaClO₂ are the maximum concentrations permitted for use with the chloriDOS[®] iOX[®] 1255 – 2000

Refer to pages 23 for a full range of control and system accessories

CHLORIDOS[®] iOX[®] ACCESSORIES

Adjustable dual level switch chloriDOS[®]

Suitable for use with all chloriDOS[®] systems, adjustable dual float level switch for mounting on top of external product tanks to control the filling and high level detection.

Fitted with 5m, M12 4-pin signal cable.

Model 20900301 / 20900301.



Rigid chemical switched suction assembly

Suitable for use with all chloriDOS[®] systems, adjustable rigid suction assembly for insertion into precursor chemical container, fitted with empty switch and 5m, M12 4-pin signal cable.

Model 20900700 / 20900701.

Chlorine dioxide gas scrubber

Suitable for use with all chloriDOS[®] Modular systems, gas scrubber can be fitted to sealed product tank to eliminate any nuisance chlorine dioxide gas production. Model 2090600.

Code	Size	Description
20900300	280mm	Floats and stem-PVDF: Seals-FPM: Body-PVC-U: Process fitting-G1"/32mm clearance hole: Switch-Reed NO: Operating voltage – 24Vdc: Electrical connection
20900301	728mm	
20900700	500mm	Floats and stem-PVC: Seals-FPM: Body-PVC-U: Tube fitting-4mmID/6mmOD: Switch-Reed NO: Operating voltage – 24Vdc: Electrical connection
20900701	1080mm	
2090600	Gas scrubber	uPVC/FPM vessel. Bottom connection 25mm uPVC solvent inlet
90900800	Modbus RTU Module	RS-485 comms module for facility to connect chloriDOS [®] to external communications (fits to rear/inside of HMI display)

CUSTOMER SERVICES

Equipment Selection, Quotations & Technical Sales Support

General Sales Enquiries

Tel: +44 (0)1254 350180 Email: info@gaffeytechnology.com

Ordering

Tel: +44 (0)1254 350180 Email: orders@gaffeytechnology.com

Technical Services

Customer & Technical Assistance.

Tel: +44 (0)1254 350180 Email: services@gaffeytechnology.com

Accounts

Account Management, Credit Application & Enquiries.

Tel: +44 (0)1254 350180 Email: admin_gts@gaffeytechnology.com



Business Hours
Mon - Fri
9am - 5pm

Returns

Please check your order carefully to make sure the items are correct for your requirements. Please ask for assistance if you are unsure about the suitability of items on your order as a re-stocking charge of 20% of the value of the item/s will apply to all returns received in 'as new' saleable condition. For product/warranty returns, please call for instructions before despatch.

Damaged goods in transit

No claims can be made for damaged or missing goods that have been signed for, even if it is 'subject to inspection'. It is recommended that customers visually check all expensive items (eg controllers and pumps) & count the number of packages, noting any discrepancy, BEFORE signing the carrier's delivery note. Once signed, no claim will be considered by the carrier & thereafter by Gaffey Technical Services Ltd.

All damaged goods should be refused and returned to Gaffey, marking the consignment or delivery note 'Refused - Goods Damaged'. Gaffey must be notified within 24 hours of any missing or late delivered goods. Gaffey makes every effort to supply goods on time but cannot be held responsible for any delivery delays due to circumstances beyond its control.

If you have any comments on our services, or suggestions on how we can improve them, we'll be pleased to hear from you.

We are pleased to offer our help and advice.
Call **+44 (0)1254 350180** or visit www.gaffeytechnology.com

TERMS & CONDITIONS

1. DEFINITIONS AND INTERPRETATION

1.1 In these Terms, the following definitions apply;

Applicable Laws: all applicable laws, statutes, regulations and codes from time to time.

Business Day: a day (other than a Saturday, Sunday or public holiday) when banks in London are open for business.

Contract: the contract between Gaffey and the Customer for the sale and purchase of the Goods incorporating the Proposal and these Conditions.

Customer: the person or firm to whom Gaffey wishes to provide the Goods and which wishes to purchase the Goods from Gaffey as detailed in the Proposal.

Delivery Location: has the meaning given in clause 4.2.

Force Majeure Event: means any event beyond a party's reasonable control, which by its nature could not have been foreseen, or, if it could have been foreseen, was unavoidable, including strikes, lock-outs or other industrial disputes (whether involving its own workforce or a third party's), failure of energy sources or transport network, acts of God, war, terrorism, riot, civil commotion, interference by civil or military authorities, national or international calamity, armed conflict, malicious damage, breakdown of plant or machinery, nuclear, chemical or biological contamination, sonic boom, explosions, collapse of building structures, fires, floods, storms, earthquakes, loss at sea, epidemics or similar events, natural disasters, extreme or adverse weather conditions, or (in the case of Gaffey) failure of its suppliers or subcontractors.

Gaffey: Gaffey Technical Services Limited (registered at Unit 3a Newhouse Road, Huncoat Industrial Estate, Accrington, Lancashire, BB5 6NT in England and Wales with Company Number 04284286)

Goods: the goods (or any part of them) set out in the Order, having been referred to initially within the Proposal.

Intellectual Property Rights: means patents, utility models, rights to inventions, copyrights and neighbouring and related rights, moral rights, trade marks and service marks, business names and domain names, rights in get-up and trade dress, goodwill and the right to sue for passing off or unfair competition, rights in designs, rights in computer software, database rights, rights to use, and protect the confidentiality of, confidential information (including know-how and trade secrets), and all other intellectual property rights, in each case whether registered or unregistered and including all applications and rights to apply for and be granted, renewals or extensions of, and rights to claim priority from, such rights and all similar or equivalent rights or forms of protection which subsist or will subsist now or in the future in any part of the world.

Loss: actions, awards charges, claims, compensation, costs, damages, demands, expenses, fees, fines, liabilities, losses, penalties, proceedings and settlements and Losses shall be construed accordingly.

Order: the Customer's written purchase order for the Goods (in whatever form this may be and which shall for the avoidance of doubt include email), raised in response to the Proposal and in accordance with clause 2 below.

Order Period: has the meaning given in clause 2.2.

Promotional Materials: Gaffey's catalogues, brochures, Websites or such other applicable sales or promotional literature, materials or publications.

Proposal: Gaffey's written quotation or proposal to provide the Goods to the Customer incorporating these Conditions.

Specification: any specification for the Goods, including any related plans, images and other drawings, that is referred to in connection with the product code relating to the Goods in question.

Terms: the terms and conditions set out in this document as amended from time to time in accordance with clause 13.8.

Warranty Period: has the meaning given in clause 5.2.

Websites: Gaffey's websites including <https://www.gaffeytechnology.com/> and such other websites operated by it from time to time.

VAT: has the meaning given to it in clause 7.4.

1.2 In these Terms, the following rules of interpretation apply:

(a) A person includes a natural person, corporate or unincorporated body (whether or not having separate legal personality).

(b) A reference to a party includes its personal representatives, successors or permitted assigns.

(c) A reference to a statute or statutory provision is a reference to such statute or provision as amended or re-enacted and includes any subordinate legislation made under that statute or statutory provision, as amended or re-enacted.

(d) Any phrase introduced by the terms including, include, in particular or any similar expression shall be construed as illustrative and shall not limit the sense of the words preceding those terms.

(e) A reference to writing or written includes emails.

(f) Unless the context otherwise requires, a reference to one gender shall include a reference to the other genders.

1.3 In the event of any conflict between the provisions of the Quotation and these Terms, the provisions of the document first appearing in this clause shall, save to the extent of any manifest and obvious error, take precedence to the extent of any conflict.

2. BASIS OF THE CONTRACT

2.1 These Terms apply to the Contract to the exclusion of any other terms that the Customer seeks to impose or incorporate, or which are implied by trade, custom, practice or course of dealing.

2.2 The Proposal shall remain valid for a period of 20 Business Days from the date specified on it (Order Period) and if the Customer accepts the position set out in the Proposal then it shall be required to raise an Order within the Order Period.

2.3 Any order made via telephone must be confirmed in writing. No responsibility will be accepted by Gaffey for inaccuracies due to orders being given by telephone.

2.4 The Order constitutes an offer by the Customer to purchase the Goods in accordance with these Terms and shall not incorporate any other terms and conditions beyond those set out in the Contract. The Customer is responsible for ensuring that the terms of the Proposal and the Order and any applicable Specification submitted by the Customer are complete and accurate.

2.5 Gaffey may reject the Order at its absolute discretion and for any reason whatsoever and the Order shall only be deemed to be accepted at the earlier of when Gaffey delivers the Goods or issues a written acceptance of the Order, at which point the Contract shall come into existence.

2.6 Any samples, drawings, descriptive matter, or advertising produced by Gaffey and any descriptions, colours or illustrations contained in the Promotional Materials are produced for the sole purpose of giving an approximate idea of the Goods described in them. They shall not form part of the Contract or have any contractual force.

3. SUPPLY OF GOODS

3.1 The Goods are described in the Promotional Materials as modified or supplemented by any applicable Specification.

3.2 The Customer shall indemnify Gaffey against all Losses (including any direct, indirect or consequential losses, loss of profit, loss of reputation and all interest, penalties and legal and other professional costs and expenses) suffered or incurred by Gaffey in connection with any claim made against Gaffey for actual or alleged infringement of a third party's Intellectual Property Rights arising out of or in connection with Gaffey's use of the Specification. This clause 3.2 shall survive termination of the Contract.

3.3 Gaffey reserves the right to amend the specification of the Goods and, where applicable, the Specification if required by any applicable statutory or regulatory requirements from time to time in force or to improve the Goods where to do so would not have a material adverse effect on the Customer.

TERMS & CONDITIONS

4. DELIVERY

4.1 Gaffey shall ensure that:

(a) each delivery of the Goods is accompanied by a delivery note which shows the date of the Order, all relevant Customer and Company reference numbers, the type and quantity of the Goods, special storage instructions (if any) and, if the Order is being delivered by instalments, the outstanding balance of Goods remaining to be delivered; and

(b) if Gaffey requires the Customer to return any packaging materials to Gaffey, that fact is clearly stated on the delivery note. The Customer shall make any such packaging materials available for collection at such times as Gaffey shall reasonably request. Returns of packaging materials shall be at the Customer's expense.

4.2 Gaffey (or, where appropriate, the instructed carrier) shall deliver the Goods to the location set out in the Proposal or such other location as the parties may agree (Delivery Location).

4.3 Unless otherwise agreed, delivery of the Goods shall be on the basis of:

(a) EXW (Gaffey's address as first set out above) (Ex Works - Incoterms 2010) where the final destination for the Goods is in the United Kingdom; or

(b) FCA (Gaffey's address as first set out above) (Free- Carrier- Incoterms 2010) where the final destination of the Goods is outside the United Kingdom.

4.4 Any dates quoted for delivery are approximate only and Gaffey is under no obligation to provide an estimated delivery time. If a quoted date for delivery is not provided, delivery will be made within a reasonable time.

4.5 The time of delivery is not of the essence.

4.6 Gaffey shall not be liable for any delay in delivery of the Goods that is caused by a Force Majeure Event suffered by it or an instructed carrier (save where it is reasonably practicable to instruct another carrier) or the Customer's failure to provide Gaffey with adequate delivery instructions or any other instructions that are relevant to the supply of the Goods.

4.7 If the Customer fails to take delivery of the Goods within five Business Days of Gaffey notifying the Customer that the Goods are ready, then, except where such failure or delay is caused by a Force Majeure Event:

(a) delivery of the Goods shall be deemed to have been completed at 9.00 am on the fourth Business Day after the day on which Gaffey notified the Customer that the Goods were ready; and

(b) Gaffey shall store the Goods until delivery takes place, and charge the Customer for all related costs and expenses (including insurance).

4.8 If 10 Business Days after the day on which Gaffey notified the Customer that the Goods were ready for delivery the Customer has not taken delivery of them, Gaffey may resell or otherwise dispose of part or all of the Goods.

4.9 Gaffey may deliver the Goods by instalments, which shall be invoiced and paid for separately. Each instalment shall constitute a separate Contract. Any delay in delivery or defect in an instalment shall not entitle the Customer to cancel any other instalment.

5. QUALITY, INSPECTION AND ASSURANCE

5.1 The Customer shall be required to inspect the Goods immediately upon receipt. In the event that:

(a) there are any damages or defects in the Goods; or

(b) an incorrect quantity of the Goods has been received; or

(c) anything other than the Goods are received,

the Customer shall be required to notify Gaffey within 10 Business Days of receipt. Where no such notification is made by the Customer to Gaffey in accordance with this clause, the Goods shall be deemed to have been accepted in all respects by the Customer.

5.2 Without prejudice to clause 5.1, Gaffey warrants that on delivery, and for a period of 12 months or such other period as specified in the Promotional Materials (Warranty Period), the Goods shall:

(a) conform in all material respects with their description and any applicable Specification;

(b) be free from material defects in design, material and workmanship;

(c) be of satisfactory quality (within the meaning of the Sale of Goods Act 1979); and

(d) be fit for any purpose held out by Gaffey.

5.3 Subject to clause 5.4, if:

(a) the Customer gives notice in writing to Gaffey during the Warranty Period within a reasonable time of discovery that some or all of the Goods do not comply with the warranty set out in clause 5.1;

(b) Gaffey is given a reasonable opportunity of examining such Goods; and

(c) the Customer (if asked to do so by Gaffey) returns such Goods to Gaffey's place of business at the Customer's cost (such reasonable return costs to be refunded to the Customer if the Goods are found to not comply with the warranty set out in clause 5.2),

Gaffey shall, at its option, repair or replace the defective Goods, or refund the price of the defective Goods in full in addition to any reasonable return costs in accordance with clause 5.3.(c).

5.4 Gaffey shall not be liable for the Goods' failure to comply with the warranty set out in clause 5.1 in any of the following events:

(a) the Customer makes any further use of such Goods after giving notice in accordance with clause 5.3;

(b) the defect arises because the Customer failed to follow Gaffey's oral or written instructions as to the storage, commissioning, installation, use and maintenance of the Goods (where applicable);

(c) the defect arises as a result of Gaffey following any drawing, design or Specification supplied by the Customer;

(d) the Customer alters or repairs such Goods without the written consent of Gaffey;

(e) the defect arises as a result of fair wear and tear, wilful damage, negligence, or abnormal storage or working conditions; or

(f) the Goods differ from their description and any Specification provided as a result of changes made to ensure they comply with applicable statutory or regulatory requirements.

5.5 Except as provided in this clause 5, Gaffey shall have no liability to the Customer in respect of the Goods' failure to comply with the warranty set out in clause 5.1.

5.6 The terms implied by sections 13 to 15 of the Sale of Goods Act 1979 are, to the fullest extent permitted by law, excluded from the Contract.

5.7 These Terms shall apply to any repaired or replacement Goods supplied by Gaffey.

6. TITLE AND RISK

6.1 Title to the Goods shall not pass to the Customer until the earlier of:

(a) Gaffey receiving payment in full (in cash or cleared funds) for the Goods and any other goods that Gaffey has supplied to the Customer in respect of which payment has become due, in which case title to the Goods shall pass at the time of payment of all such sums; or

(b) the Customer reselling the Goods, in which case title to the Goods shall pass to the Customer at the time specified in clause 6.3 and the proceeds of sale shall be immediately accounted to Gaffey and otherwise held in a fiduciary capacity on trust for Gaffey to the extent of any liability for unpaid sums.

6.2 Until title to the Goods has passed to the Customer, the Customer shall:

(a) store the Goods separately from all other goods held by the Customer so that they remain readily identifiable as Gaffey's property;

(b) not remove, deface or obscure any identifying mark or packaging on or relating to the Goods;

(c) maintain the Goods in satisfactory condition and keep them insured against all risks for their full price from the date of delivery;

(d) notify Gaffey immediately if it becomes subject to any of the events listed in clause 8.2; and

(e) give Gaffey such information relating to the Goods as Gaffey may require from time to time.

TERMS & CONDITIONS

6.3 Subject to clause 6.4, the Customer may resell or use the Goods in the ordinary course of its business (but not otherwise) before Gaffey receives payment for the Goods. However, if the Customer resells the Goods before that time:

- (a) it does so as principal and not as Gaffey's agent; and
- (b) title to the Goods shall pass from Gaffey to the Customer immediately before the time at which resale by the Customer occurs.

6.4 If before title to the Goods passes to the Customer and the Customer becomes subject to (or Gaffey suspects that the Customer is about to become subject to) any of the events listed in clause 8.2 or fails to make any payment due to Gaffey in accordance with clause 7, then, without limiting any other right or remedy Gaffey may have:

- (a) the Customer's right to resell the Goods or use them in the ordinary course of its business ceases immediately; and
- (b) Gaffey may at any time:
 - (i) require the Customer to deliver up all Goods in its possession which have not been resold, or irrevocably incorporated into another product; and
 - (ii) if the Customer fails to do so promptly, enter any premises of the Customer or of any third party where the Goods are stored in order to recover them.

7. PRICE AND PAYMENT

7.1 The price of the Goods shall be the price set out in the Proposal, or, if no price is quoted, the price set out in Gaffey's published price list in force as at the date of delivery or, if earlier in accordance with this clause 7, when payment becomes due.

7.2 Gaffey may, by giving notice to the Customer at any time up to 5 Business Days before delivery, increase the price of the Goods to reflect any increase in the cost of the Goods that is due to:

- (a) any factor beyond Gaffey's control (including foreign exchange fluctuations, increases in taxes and duties, and increases in labour, materials and other manufacturing costs);
- (b) any request by the Customer to change the delivery date(s), quantities or types of Goods ordered, or the Specification; or
- (c) any delay caused by any instructions of the Customer or failure of the Customer to give Gaffey adequate or accurate information or instructions.

7.3 Unless otherwise agreed between the parties, the price of the Goods is exclusive of the costs and charges of packaging, insurance and transport of the Goods, which shall be invoiced to the Customer.

7.4 The price of the Goods is exclusive of amounts in respect of value added tax (VAT). The Customer shall, on receipt of a valid VAT invoice from Gaffey, pay to Gaffey such additional amounts in respect of VAT as are chargeable on the supply of the Goods.

7.5 Gaffey may invoice the Customer for the Goods on or at any time after the despatch of the Goods from Gaffey's premises for delivery. The Customer shall pay the invoice in full and in cleared funds within 30 days of the date of the invoice unless otherwise agreed in writing between the Parties. Payment shall be made to the bank account nominated in writing by Gaffey. Time of payment is of the essence.

7.6 If the Customer fails to make any payment due to Gaffey under the Contract by the due date for payment, then the Customer shall pay interest on the overdue amount at the rate of 8% per annum above the Co-operative Bank plc's base rate from time to time. Such interest shall accrue on a daily basis from the due date until actual payment of the overdue amount, whether before or after judgment. The Customer shall pay the interest together with the overdue amount.

7.7 The Customer shall pay all amounts due under the Contract in full without any set-off, counterclaim, deduction or withholding (except for any deduction or withholding required by law). Gaffey may at any time, without limiting any other rights or remedies it may have, set off any amount owing to it by the Customer against any amount payable by Gaffey to the Customer.

8. TERMINATION

8.1 If the Customer breaches any of the Terms or becomes subject to any of the events listed in clause 8.2, Gaffey may terminate the Contract with immediate effect by giving written notice to the Customer.

8.2 For the purposes of clause 8.1, the relevant events are:

- (a) the Customer suspends, or threatens to suspend, payment of its debts, or is unable to pay its debts as they fall due or admits inability to pay its debts, or (being a company or limited liability partnership) is deemed unable to pay its debts within the meaning of section 123 of the Insolvency Act 1986, or (being an individual) is deemed either unable to pay its debts or as having no reasonable prospect of so doing, in either case, within the meaning of section 268 of the Insolvency Act 1986, or (being a partnership) has any partner to whom any of the foregoing apply;
- (b) the Customer takes any step or action in connection with its entering administration, provisional liquidation or any composition or arrangement with its creditors (other than in relation to a solvent restructuring), being wound up (whether voluntarily or by order of the court, unless for the purpose of a solvent restructuring), having a receiver appointed to any of its assets or ceasing to carry on business or, if the step or action is taken in another jurisdiction, in connection with any analogous procedure in the relevant jurisdiction;
- (c) the Customer takes any step or action in connection with the Customer being made bankrupt, entering any composition or arrangement with his creditors, having a receiver appointed to any of his assets, or ceasing to carry on business or, if the step or action is taken in another jurisdiction, in connection with any analogous procedure in the relevant jurisdiction;
- (d) the Customer suspends, threatens to suspend, ceases or threatens to cease to carry on all or a substantial part of its business;
- (e) the Customer's financial position deteriorates to such an extent that in Gaffey's opinion the Customer's capability to adequately fulfil its obligations under the Contract has been placed in jeopardy; and
- (f) (being an individual) the Customer dies or, by reason of illness or incapacity (whether mental or physical), is incapable of managing his or her own affairs or becomes a patient under any mental health legislation.

8.3 Without limiting its other rights or remedies, Gaffey may suspend provision of the Goods under the Contract or any other contract between the Customer and Gaffey if the Customer becomes subject to any of the events listed in clause 8.2(a) to clause 8.2(f), or Gaffey reasonably believes that the Customer is about to become subject to any of them, or if the Customer fails to pay any amount due under this Contract on the due date for payment.

8.4 On termination of the Contract for any reason the Customer shall immediately pay to Gaffey all of Gaffey's outstanding unpaid invoices and interest.

8.5 Termination of the Contract, however arising, shall not affect any of the parties' rights, remedies, obligations and liabilities that have accrued as at termination.

8.6 Clauses which expressly or by implication survive termination of the Contract shall continue in full force and effect.

TERMS & CONDITIONS

9. LIMITATION OF LIABILITY

9.1 Nothing in these Terms shall limit or exclude Gaffey's liability for:

- (a) death or personal injury caused by its negligence, or the negligence of its employees, agents or subcontractors (as applicable);
- (b) fraud or fraudulent misrepresentation;
- (c) breach of the terms implied by section 12 of the Sale of Goods Act 1979;
- (d) defective products under the Consumer Protection Act 1987; or
- (e) any matter in respect of which it would be unlawful for Gaffey to exclude or restrict liability.

9.2 Subject to clause 9.1:

(a) Gaffey shall under no circumstances whatever be liable to the Customer, whether in contract, tort (including negligence), breach of statutory duty, or otherwise, for any:

- (i) loss of profit;
- (ii) loss of goodwill;
- (iii) loss of business;
- (iv) loss of business opportunity;
- (v) loss of anticipated saving;
- (vi) loss or corruption of data or information; or
- (vii) any indirect or consequential Loss, that arises under or in connection with the Contract; and
- (b) Gaffey's total liability to the Customer in respect of all other Losses arising under or in connection with the Contract, whether in contract, tort (including negligence), breach of statutory duty, or otherwise, shall in no circumstances exceed the total net price of the Goods paid by the Customer to Gaffey under the Contract.

10. FORCE MAJEURE

10.1 Neither party shall be in breach of the Contract nor liable for delay in performing, or failure to perform, any of its obligations under it if such a delay or failure result from a Force Majeure Event.

10.2 The Customer shall use all reasonable endeavours to mitigate the effect of a Force Majeure Event on the performance of its obligations.

10.3 If a Force Majeure Event prevents, hinders or delays the Customer's performance of its obligation for a continuous period of more than thirty days, Gaffey may terminate the Contract immediately by giving written notice to the Customer.

11. CONFIDENTIALITY

11.1 A party (receiving party) shall keep in strict confidence all technical or commercial know-how, specifications, inventions, processes or initiatives which are of a confidential nature and have been disclosed to the receiving party by the other party (disclosing party), its employees, agents or subcontractors, and any other confidential information concerning the disclosing party's business and its products which the receiving party may obtain.

11.2 The receiving party shall only disclose such confidential information to those of its employees, agents and subcontractors who need to know it for the purpose of discharging the receiving party's obligations under the Contract, and shall ensure that such employees, agents and subcontractors comply with the obligations set out in this clause as though they were a party to the Contract.

11.3 The receiving party may also disclose such of the disclosing party's confidential information as is required to be disclosed by law, any governmental or regulatory authority or by a court of competent jurisdiction.

11.4 This clause 11 shall survive termination of the Contract.

12. NOTICES

12.1 Any notice or other communication given to a party under or in connection with the Contract shall be in writing, addressed to that party at its registered office (if it is a company) or its principal place of business (in any other case) or such other address as that party may have specified to the other party in writing in accordance with this clause, and shall be delivered personally, sent by pre-paid first class post or other next working day delivery service, commercial courier or email.

12.2 A notice or other communication shall be deemed to have been received:

- (a) if delivered personally, when left at the nominated address referred to in clause 12.1;
- (b) if sent by pre-paid first class post or other next working day delivery service, at 9.00 am on the second (2nd) Business Day after posting; or
- (c) if delivered by commercial courier, on the date and at the time that the courier's delivery receipt is signed; or, if sent by email, one (1) Business Day after transmission.

12.3 The provisions of this clause shall not apply to the service of any proceedings or other documents in any legal action.

13. GENERAL

13.1 Assignment and other dealings.

- (a) Gaffey may at any time assign, transfer, mortgage, charge, subcontract or deal in any other manner with all or any of its rights or obligations under the Contract.
- (b) The Customer may not assign, transfer, mortgage, charge, subcontract, declare a trust over or deal in any other manner with any or all of its rights or obligations under the Contract without prior written consent of Gaffey.

13.2 Entire Agreement. The Contract constitutes the entire agreement between the parties. The Customer acknowledges that it has not relied on any statement, promise, representation, assurance or warranty made or given by or on behalf of Gaffey including, for the avoidance of doubt, the information included in the Literature which is not set out in the Contract.

TERMS & CONDITIONS

13.3 Severance.

(a) If any provision or part-provision of the Contract is or becomes invalid, illegal or unenforceable, it shall be deemed modified to the minimum extent necessary to make it valid, legal and enforceable. If such modification is not possible, the relevant provision or part-provision shall be deemed deleted. Any modification to or deletion of a provision or part-provision under this clause shall not affect the validity and enforceability of the rest of the Contract.

(b) If any provision or part-provision of this Contract is invalid, illegal or unenforceable, the parties shall negotiate in good faith to amend such provision so that, as amended, it is legal, valid and enforceable, and, to the greatest extent possible, achieves the intended commercial result of the original provision.

13.4 Waiver. A waiver of any right or remedy under the Contract or law is only effective if given in writing and shall not be deemed a waiver of any subsequent breach or default. No failure or delay by a party to exercise any right or remedy provided under the Contract or by law shall constitute a waiver of that or any other right or remedy, nor shall it prevent or restrict the further exercise of that or any other right or remedy. No single or partial exercise of such right or remedy shall prevent or restrict the further exercise of that or any other right or remedy.

13.5 Rights and Remedies. No right or remedy conferred upon or reserved to Gaffey by these Terms is exclusive of any other right or remedy in these Terms provided or permitted by law, and each shall be cumulative of every other right or remedy now or in the future existing and may be enforced by Gaffey concurrently or from time to time.

13.6 Third party rights. A person who is not a party to the Contract shall not have any rights to enforce its terms.

13.7 Further Assurance. The Customer shall, whenever requested by Gaffey, execute such documents and do such acts and things as Gaffey may require to give full effect to the Contract.

13.8 Variation. Except as set out in these Terms, no variation of the Contract, including the introduction of any additional terms and conditions, shall be effective unless it is in writing and signed by Gaffey.

13.9 Multi-Tiered Dispute Resolution.

(a) If a dispute arises out of or in connection with this Contract or the performance, validity or enforceability of it (Dispute) then, except as expressly provided in this Contract, the parties may at their discretion follow the procedure set out in this clause:

(i) either party shall give to the other written notice of the Dispute, setting out its nature and full particulars (Dispute Notice), together with relevant supporting documents. On service of the Dispute Notice, employees at management level (or the nearest equivalent) of the parties shall attempt in good faith to resolve the Dispute; and

(ii) if the management level employees are for any reason unable to resolve the Dispute within 30 days of service of the Dispute Notice, the Dispute shall be referred to the directors of the parties who shall attempt in good faith to resolve it.

(b) If the directors of the parties are for any reason unable to resolve the Dispute within 30 days of it being referred to them and the Customer is not registered in the United Kingdom, the parties will attempt to settle it by mediation.

(i) The parties shall have recourse to mediation in accordance with in accordance with the Rules, which are deemed to be incorporated by reference into this clause.

(ii) If the Dispute is not settled by mediation within 30 days of the commencement of the mediation, or such further period as the parties shall agree in writing, the Dispute shall be submitted to the International Court of Arbitration of the ICC whose seat shall be London and shall be finally settled under the Arbitration Rules, by one or more arbitrators appointed in accordance with the Arbitration Rules. The Emergency Arbitrator Provisions under the Arbitration Rules shall not apply.

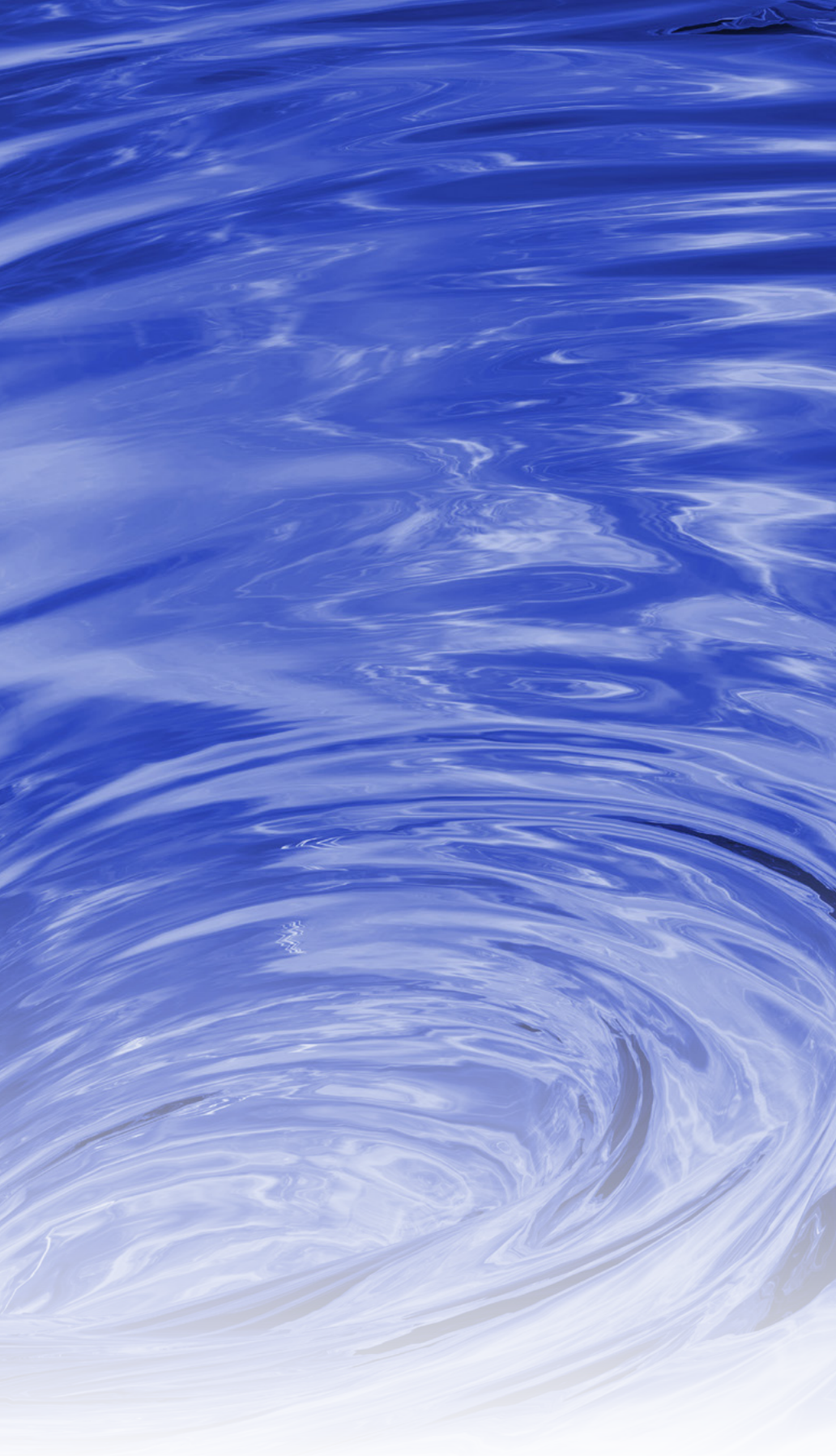
(iii) This clause 13.9 takes the form of an arbitration agreement and is governed by the law of England and Wales.

(iv) The language to be used in the mediation and in the arbitration shall be English.

(c) If the directors of the parties are for any reason unable to resolve the Dispute within 30 days of it being referred to them and the Customer is registered in the United Kingdom, the parties may commence court proceedings under clause 13.11 in relation to the whole or part of the Dispute.

13.10 Governing law. The Contract, and any dispute or claim arising out of or in connection with it or its subject matter or formation (including non-contractual disputes or claims), shall be governed by, and construed in accordance with the law of England and Wales.

13.11 Jurisdiction. Each party irrevocably agrees that the courts of England and Wales shall have exclusive jurisdiction to settle any dispute or claim arising out of or in connection with this Contract or its subject matter or formation (including non-contractual disputes or claims).



Gaffey Technical Services Ltd.
Unit 3a Newhouse Road,
Huncoat Business Park,
Accrington, Lancashire BB5 6NT

Gaffey Technical Services Ltd.
call **+44 (0) 1254 350180**

email info@gaffeytechnology.com
or visit www.gaffeytechnology.com

a member of

BRITISH
WATER

MADE IN
BRITAIN



gaffey
WATER TREATMENT FOR LIFE